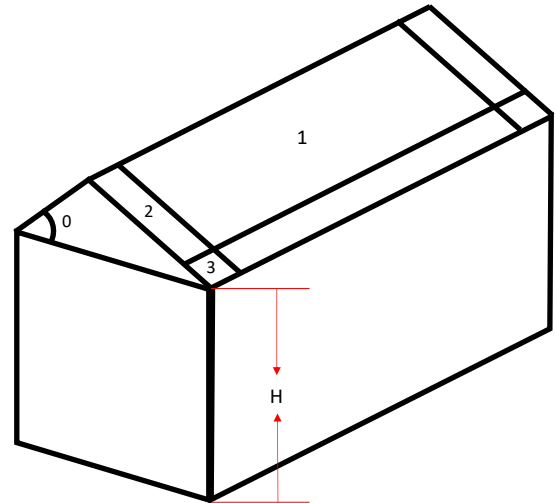




**Perimeter and Corner Zone  
Steep Slope Detail MS-GC 3**

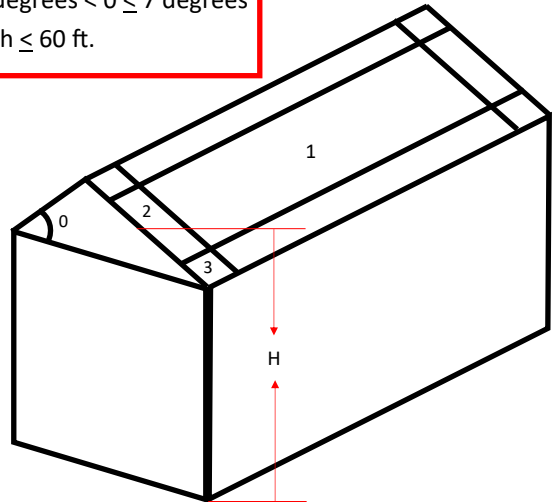
3	2	2	3
	1	1	

Gable Roof  $0 \leq 7$  degrees  
 $h \leq 60$  ft.



3	2			2	3
	1			1	

Gable Roof  $7 \text{ degrees} < 0 \leq 7 \text{ degrees}$   
 $h \leq 60$  ft.



**Legend:**

Zone 1= Field of Roof

Zone 2= Perimeter

Zone 3= Corner

0= Degrees/plane of roof from horizontal

H= Eave or Mean of roof height

**NOTES:** NUMBER OF HALF SHEETS DEPENDS ON ROOF DIMENSIONS AND DESIGN.  
PLEASE REFER TO HALF SHEET DETAIL PAGE OR CONTACT THE PHOENIX TECHNICAL  
DEPARTMENT WITH ANY QUESTIONS REGARDING HALFSHEETS.